

A

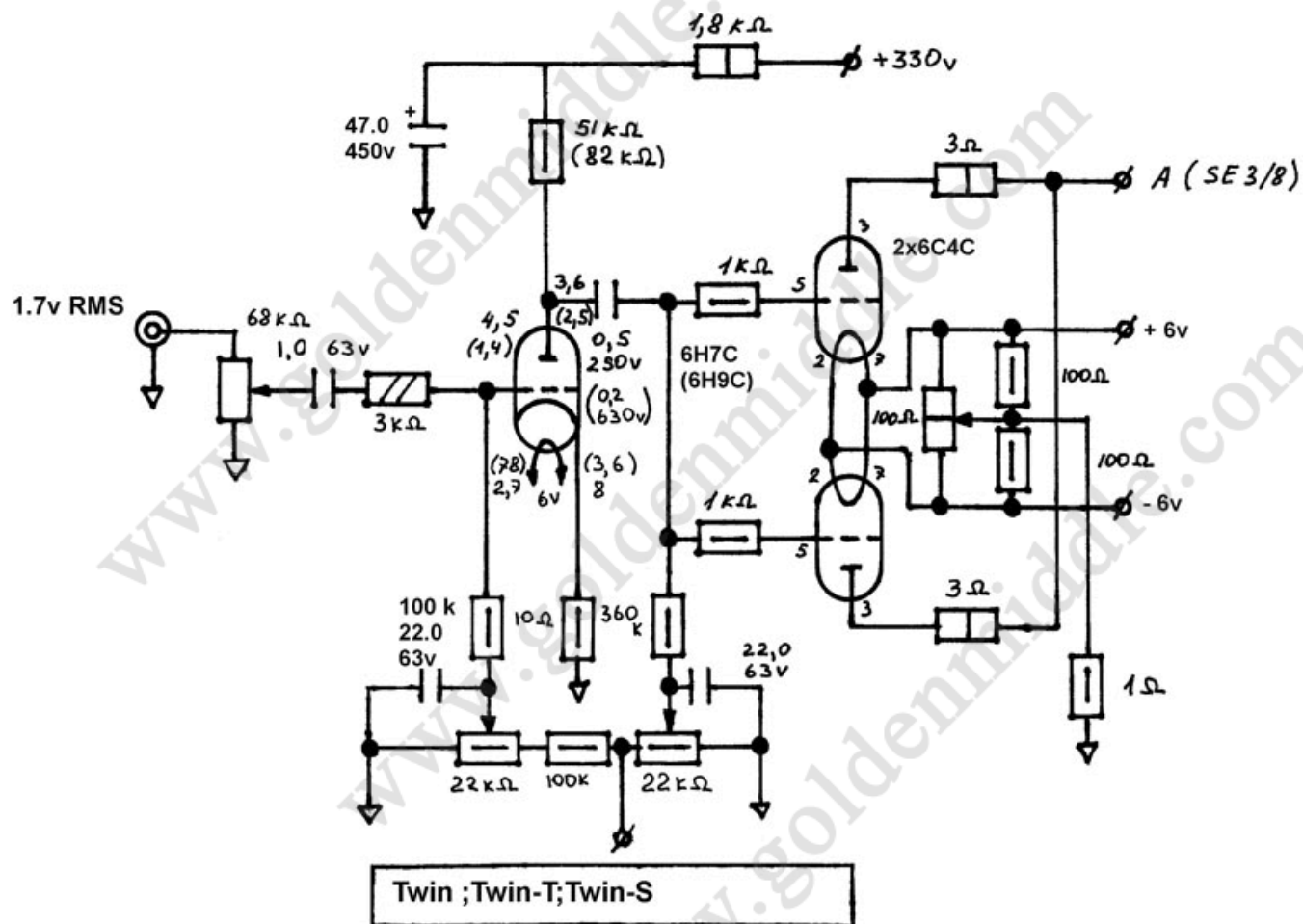
B

C

D

E

F



1

2

3

4

Modifications		Date	Name	Description	Page no.
Date	Name				GOLDEN MIDDLE
				Pages	
				Schematic no.	
			TWINS	TUBE POWER AMPLIFIER	