

A

B

C

D

E

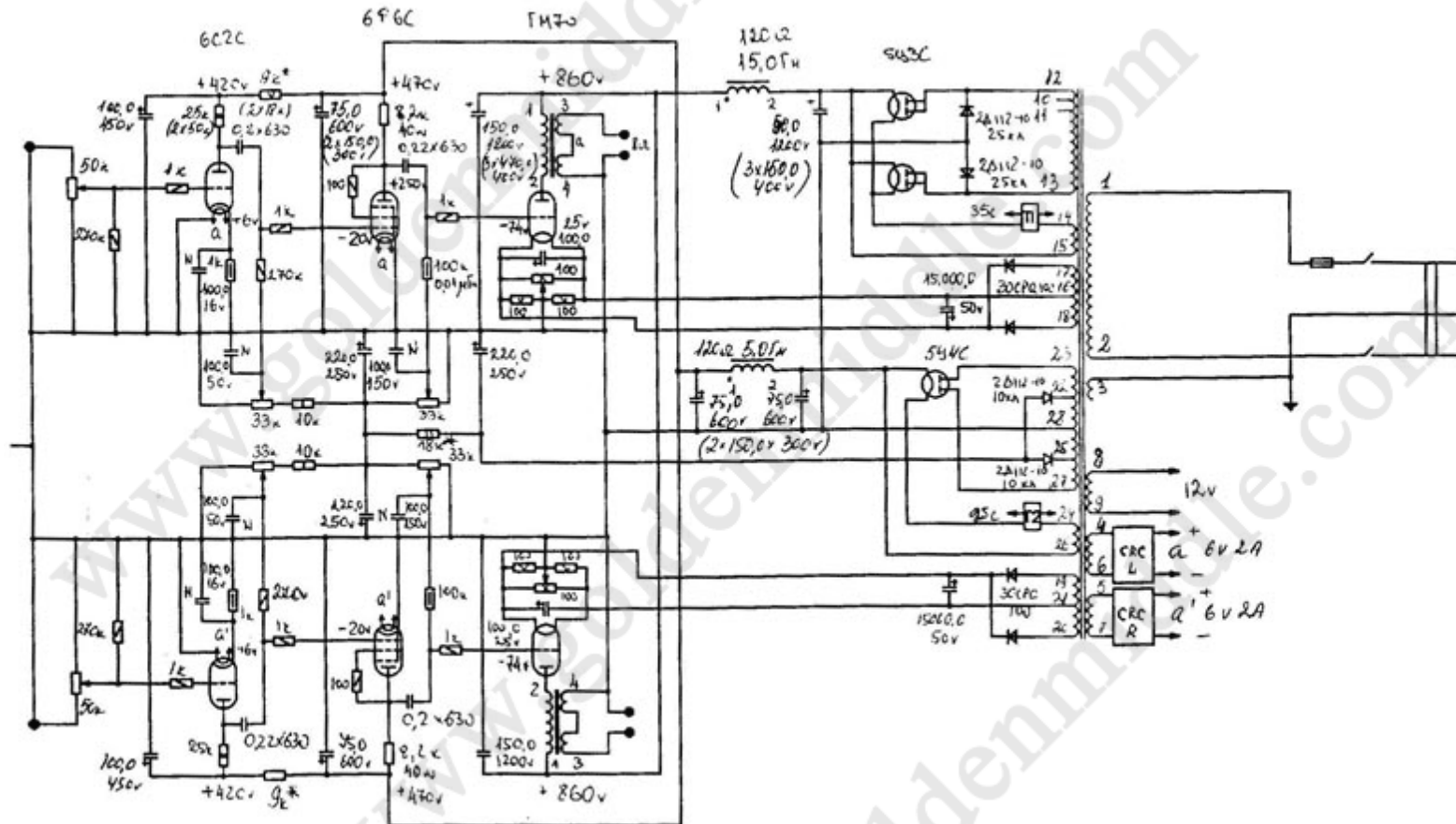
F

1

2

3

4



Modifications		Date	Name	Description	Page no.
Date	Name				GOLDEN MIDDLE
				Pages	
EXPRESSIVE				Schematic no.	
				TUBE POWER AMPLIFIER	