

A

B

C

D

E

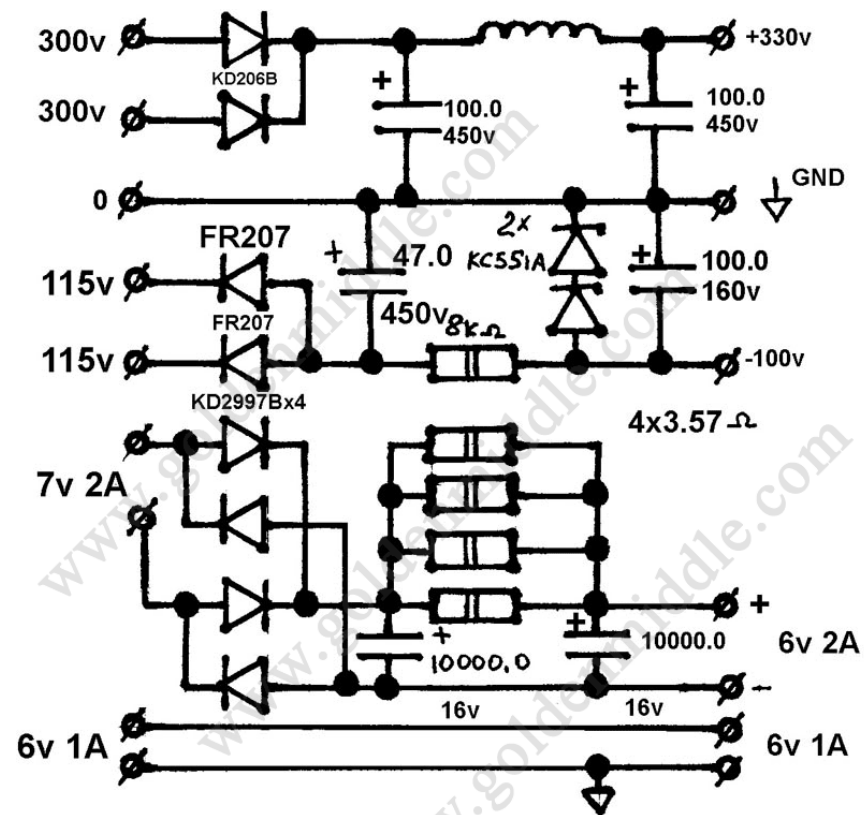
F

1

2

3

4



Источник питания Prime;Twin

TWINS

Modifications		Date	Name	Description	Page no.
Date	Name				GOLDEN MIDDLE
					Pages
			PRIME AMP	Schematic no.	
				POWER SUPPLY	