

A

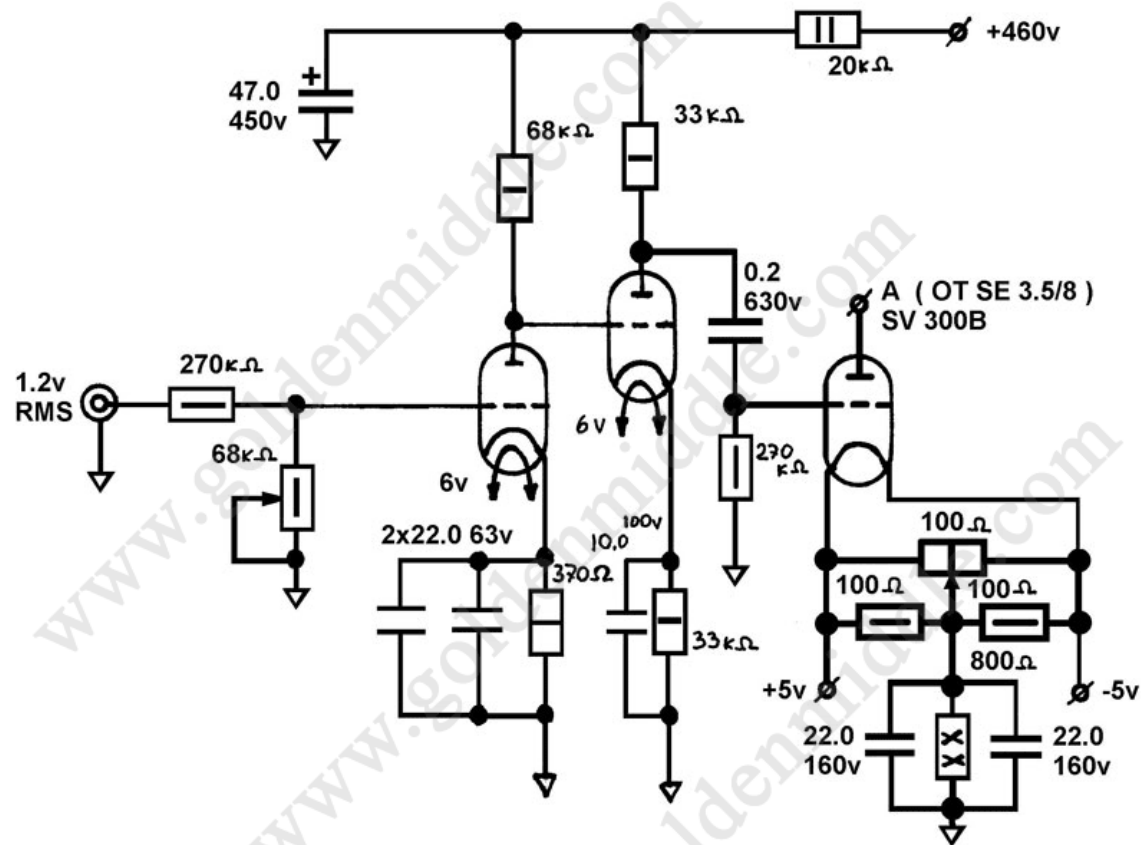
B

C

D

E

F



- 1) Blues 6H8C
- 2) Blues-T 2x6C2C

Modifications		Date	Name	Description	Page no.
Date	Name				GOLDEN MIDDLE
					Pages
		BLUES AMP		Schematic no.	
				TUBE AMP	

1

2

3

4