

A

B

C

D

E

F

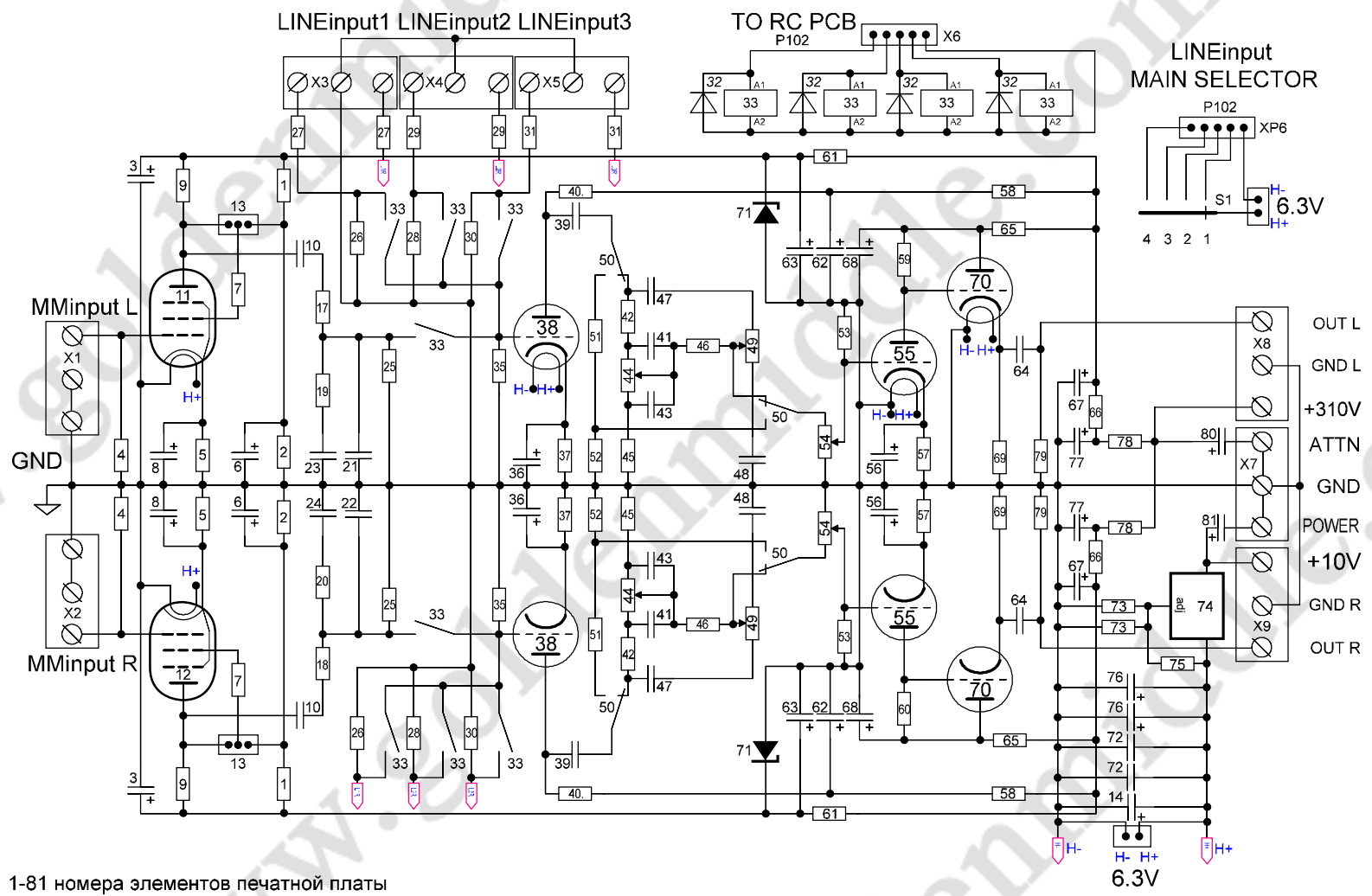
1

2

3

4

RIAATONE основная принципиальная схема



RIAATONE MAIN PCB	1	PT-POT-100/350	6	Description RIAATONE GOLDENMIDDLE AUDIO	Page no.	9
STABILIGHT	2	STABILIGHT ASSEMBLING	7		Pages	10
IP1V3	3	STABITUBE ASSEMBLING	8	Schematic no. RIAATONE MAIN PCB	Revision	2.01
STABITUBE	4	STABITUBE CHOKE HEATER	9		Date	25.03.2013
PT-POT-50/300	5	REMOTE ASSEMBLING	10		Name	