

A

B

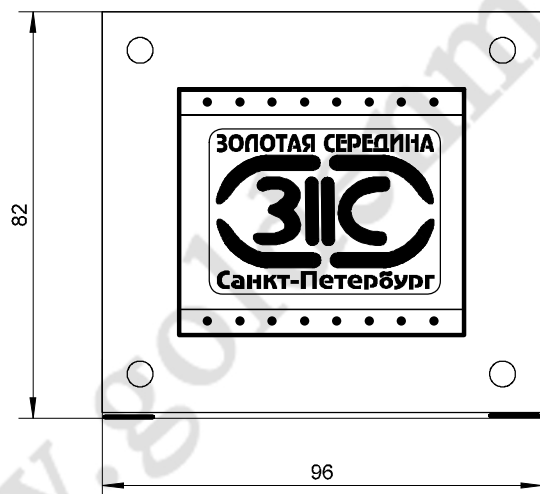
C

D

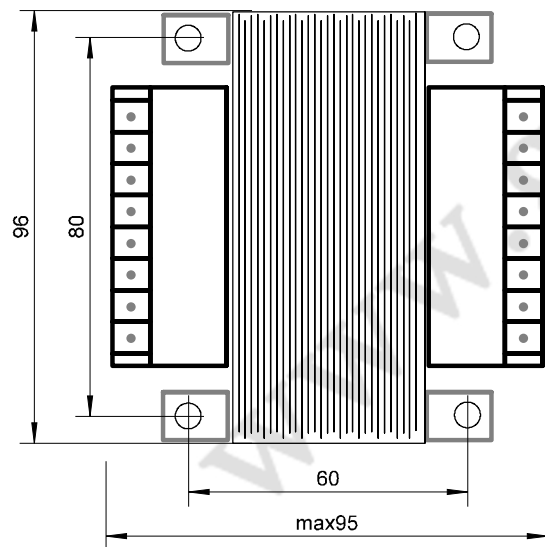
E

F

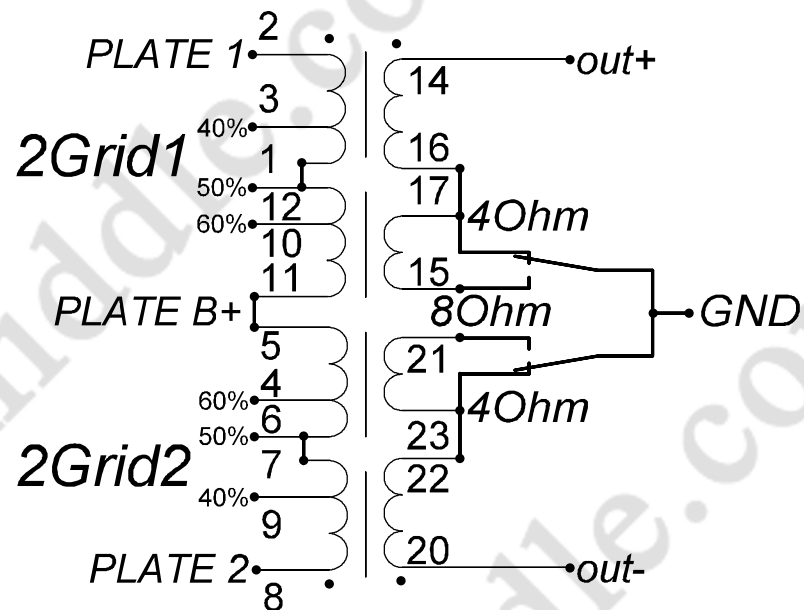
ГАБАРИТНЫЕ РАЗМЕРЫ



УСТАНОВОЧНЫЕ РАЗМЕРЫ



OT-PPU-6.0/4/8-40



Description

GOLDEN MIDDLE**40W output trafo**

Schematic no.

OT-PPU-3.5/4/8-40

TECHNICAL SPECIFICATIONS

TECHNICAL DATA		QC	Date	Name
CORE TYPE		EI 96X38 SM		
CORE MATERIAL				
MODIFICATION				
DC VOLTAGE		CAT II 1000V		
DCR1@20C		PASS		
DCR2@20C		PASS		
DCI max 2X		PASS		
L220v@50Hz		PASS		
L2v@1000Hz		PASS		