

A

B

C

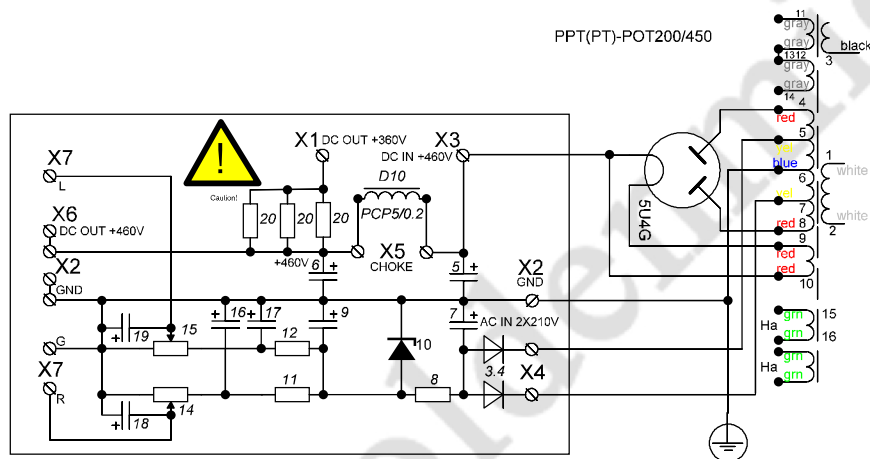
D

E

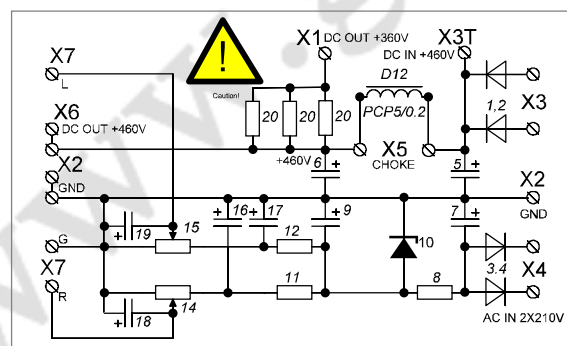
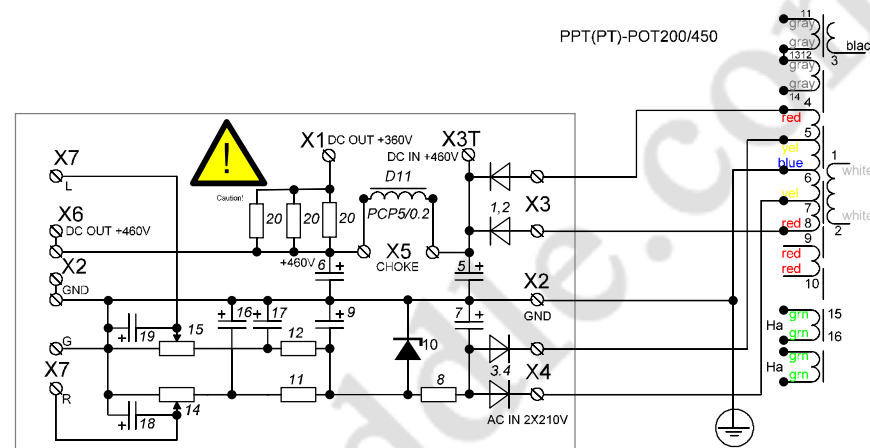
F

P-OWER POWER SUPPLY PCB

VACUUM TUBE RECTIFIER



SI-DIODE RECTIFIER



Description	Page no. 1
GOLDENMIDDLE AUDIO	
Schematic no.	Pages 1
P-OWER power supply PCB	01.08.2014
	VER 2.1