



211

211

# POWER TRIODE

## GENERAL DATA

### Electrical:

Filament, Thoriated-Tungsten:

Voltage . . . . . 10 . . . . . ac or dc volts

Current . . . . . 3.25 . . . . . amp

Amplification Factor . . . . . 12

Direct Interelectrode Capacitances:

Grid to Plate . . . . . 14 . . . . .  $\mu\mu\text{f}$

Grid to Filament . . . . . 5.4 . . . . .  $\mu\mu\text{f}$

Plate to Filament . . . . . 4.8 . . . . .  $\mu\mu\text{f}$

### Mechanical:

Mounting Position . . . . . Vertical, base down; or Horizontal, with pins 1 and 3 in vertical plane

Maximum Overall Length . . . . . 7-7/8"

Maximum Diameter . . . . . 2-5/16"

Bulb . . . . . T-18

Base . . . . . Medium-Metal-Shell Jumbo 4-Pin, Bayonet

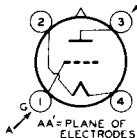
Basing Designation for BOTTOM VIEW . . . . . 4AZ

Pin 1—Grid

Pin 2—Filament

Pin 3—Plate

Pin 4—Filament



### AF POWER AMPLIFIER & MODULATOR—Class A<sub>1</sub>

#### Maximum CCS\* Ratings, Absolute Values:

DC PLATE VOLTAGE . . . . . 1250 max. volts

PLATE DISSIPATION . . . . . 75 max. watts

#### Typical Operation and Characteristics:

DC Plate Voltage . . . . . 750 1000 1250 volts

DC Grid Voltage# . . . . . -46 -61 -80 volts

Peak AF Grid Voltage . . . . . 41 56 75 volts

DC Plate Current . . . . . 34 53 60 ma

Plate Resistance . . . . . 4400 3800 3600 ohms

Transconductance . . . . . 2750 3150 3300  $\mu\text{mhos}$

Load Resistance . . . . . 8800 7600 9200 ohms

2nd Harmonic Distortion . . . . . 5 5 5 %

Power Output . . . . . 5.6 12 19.7 watts

### AF POWER AMPLIFIER & MODULATOR—Class B

#### Maximum CCS\* Ratings, Absolute Values:

DC PLATE VOLTAGE . . . . . 1250 max. volts

\* , #: See next page.

← Indicates a change.



## POWER TRIODE

MAX.-SIGNAL DC PLATE CURRENT*	175 max.	ma
MAX.-SIGNAL PLATE INPUT*	220 max.	watts
PLATE DISSIPATION*	100 max.	watts

**Typical Operation:***Values are for 2 tubes*

DC Plate Voltage	1000	1250	volts
DC Grid Voltage#	-77	-100	volts
Peak AF Grid-to-Grid Voltage	380	410	volts
Zero-Signal DC Plate Current	20	20	ma
Max.-Signal DC Plate Current	320	320	ma
Effective Load Resistance (plate-to-plate)	6900	9000	ohms
Max.-Signal Driving Power (Approx.)	7.5	8	watts
Max.-Signal Power Output (Approx.)	200	260	watts

**RF POWER AMPLIFIER—Class B Telephony***Carrier conditions per tube for use with a max. modulation factor of 1.0***Maximum CCS\* Ratings, Absolute Values:**

DC PLATE VOLTAGE	1250 max.	volts
DC PLATE CURRENT	150 max.	ma
PLATE INPUT	150 max.	watts
PLATE DISSIPATION	100 max.	watts

**Typical Operation:**

DC Plate Voltage	1000	1250	volts
DC Grid Voltage#	-77	-100	volts
Peak RF Grid Voltage	125	125	volts
DC Plate Current	130	106	ma
DC Grid Current (Approx.) <sup>□</sup>	5	1	ma
Driving Power (Approx.) <sup>▲ □</sup>	10	7.5	watts
Power Output (Approx.)	40	42.5	watts

**PLATE-MODULATED RF POWER AMPLIFIER—Class C Telephony***Carrier conditions per tube for use with a max. modulation factor of 1.0***Maximum CCS\* Ratings, Absolute Values:**

DC PLATE VOLTAGE	1000 max.	volts
DC GRID VOLTAGE	-400 max.	volts
DC PLATE CURRENT	175 max.	ma
DC GRID CURRENT	50 max.	ma
PLATE INPUT	175 max.	watts

\* Averaged over any audio-frequency cycle of sine-wave form.

# For ac filament supply.

▲ At crest of audio-frequency cycle with modulation factor of 1.0.

●, □: See next page.



211

211

# POWER TRIODE

PLATE DISSIPATION. . . . . 67 max. watts

### Typical Operation:

DC Plate Voltage . . . . .	750	1000	volts
DC Grid Voltage. . . . .	-200	-260	volts
Peak RF Grid Voltage . . . . .	350	410	volts
DC Plate Current . . . . .	150	150	ma
DC Grid Current (Approx.) <sup>□</sup> . . . . .	35	35	ma
Driving Power (Approx.) <sup>□</sup> . . . . .	12	14	watts
Power Output (Approx.) . . . . .	65	100	watts

### RF POWER AMPLIFIER & OSCILLATOR—Class C Telegraphy

Key-down conditions per tube without modulation<sup>□□</sup>

### Maximum CCS\* Ratings, Absolute Values:

DC PLATE VOLTAGE . . . . .	1250 max.	volts
DC GRID VOLTAGE. . . . .	-400 max.	volts
DC PLATE CURRENT . . . . .	175 max.	ma
DC GRID CURRENT. . . . .	50 max.	ma
PLATE INPUT. . . . .	220 max.	watts
PLATE DISSIPATION. . . . .	100 max.	watts

### Typical Operation:

DC Plate Voltage . . . . .	750	1000	1250	volts
DC Grid Voltage. . . . .	-135	-175	-225	volts
Peak RF Grid Voltage . . . . .	275	315	375	volts
DC Plate Current . . . . .	150	150	150	ma
DC Grid Current (Approx.) <sup>□</sup> . . . . .	18	18	18	ma
Driving Power (Approx.) <sup>□</sup> . . . . .	5	6	7	watts
Power Output (Approx.) . . . . .	65	100	130	watts

● continuous commercial service.

□ For effect of load resistance on grid current and driving power, refer to TUBE RATINGS—Grid Current and Driving Power in General Section.

□□ Modulation essentially negative may be used if the positive peak of the audio-frequency envelope does not exceed 115% of the carrier conditions.

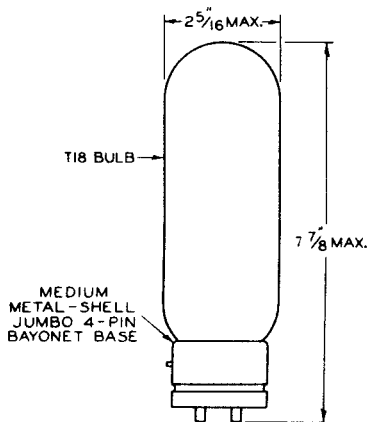
Data on operating frequencies for the 211 are given on the sheet TRANS. TUBE RATINGS vs FREQUENCY.

211



211

# POWER TRIODE



92CM-7313

MAY 1, 1950

TUBE DEPARTMENT  
RADIO CORPORATION OF AMERICA, HARRISON, NEW JERSEY

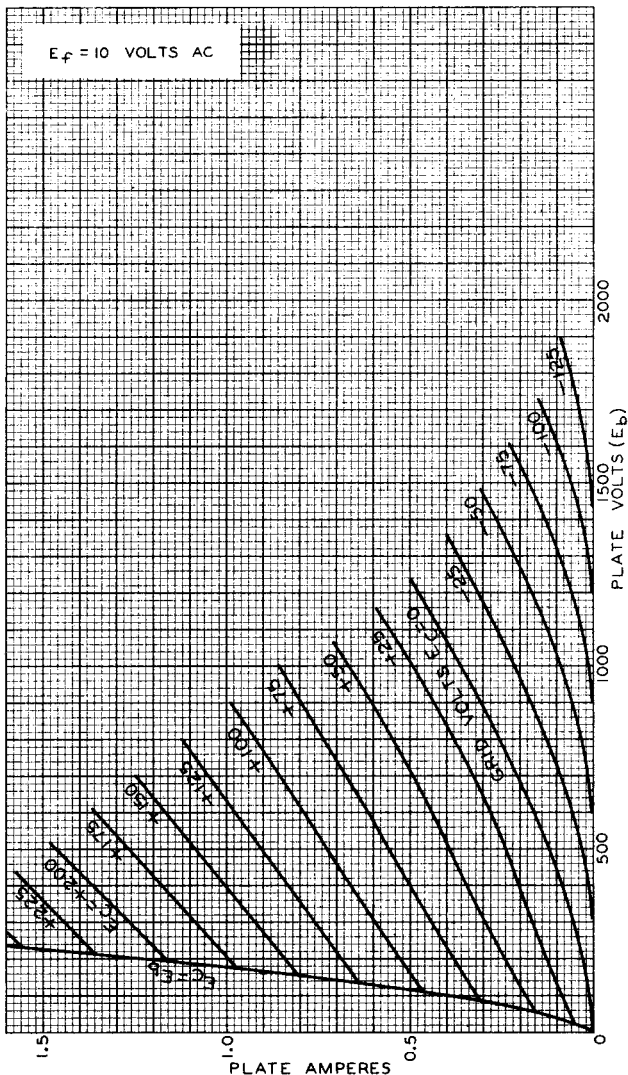
CE-7313



211

211

# AVERAGE PLATE CHARACTERISTICS





## TYPICAL CHARACTERISTICS

